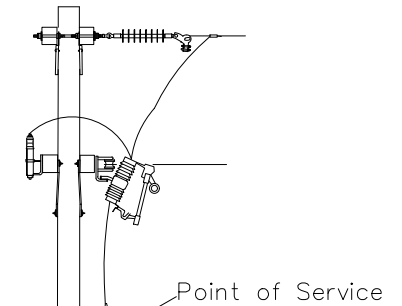
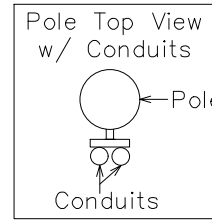


CURRENT CARRYING CAPACITIES AND CONDUIT/NIPPLE SIZE REQUIREMENT OF STANDARD WIRE SIZE. (RHH, RHW, THW, THWN, THHN, AND XHHW) REFER TO NEC FOR OTHER CALCULATIONS.		
COPPER CONDUCTOR		
WIRE SIZE	BREAKER SIZE	CONDUIT/NIPPLE SIZE
#6	60 AMP	1¼" CONDUIT
#4	100 AMP	1½" CONDUIT
#2	125 AMP	1½" CONDUIT
#1	150 AMP	2" CONDUIT
#2/0	200 AMP	2" CONDUIT
ALUMINUM CONDUCTOR		
WIRE SIZE	BREAKER SIZE	CONDUIT/NIPPLE SIZE
#4	60 AMP	1¼" CONDUIT
#2	100 AMP	1½" CONDUIT
#1/0	125 AMP	1½" CONDUIT
#2/0	150 AMP	2" CONDUIT
#4/0	200 AMP	2" CONDUIT

Notes:

- Weatherproof fittings required.
- Wire sized to total disconnect size.
- Neutral may only be reduced two sizes on residential application. No reduction of the neutral is allowed on commercial application.
- Bluebonnet pole must remain free of structures and private attachments other than meter loop riser assembly.
- Meter assembly must remain unenclosed on exterior of structure.
- Meter assembly cannot be mounted on a mobile home.
- All secondary connections made by BEC.
- #6 solid, bare ground copper wire and clamp attached to Bluebonnet's pole ground.
- The main electrical disconnect for each electrical service shall be installed on the exterior of the building in a location approved by Bluebonnet Electric Cooperative.

Ⓐ
Riser Length:
35' Pole = 20' Riser
40' Pole = 24' Riser



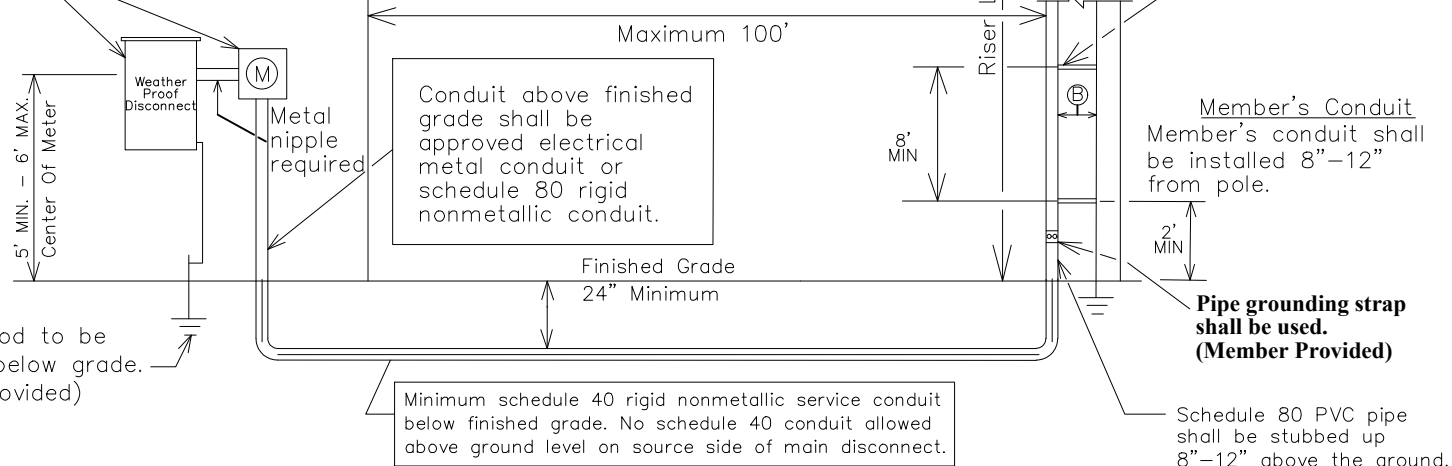
FOR THREE PHASE APPLICATIONS DESCRIPTION:
200amp, 7 terminal, 3-phase, 4-wire will require a lever by-pass meeting ANSI C12.7, UL 414, and NEMA 3R. Meter cans are available for purchase through Techline or any other electrical supplier provided it meets all Bluebonnet Electric Cooperative specifications. Techline (512-332-2978)

BUILDING OR RESIDENCE

Meter socket and weatherproof main disconnect panel with a single main breaker as defined in the NEC.

2" conduit above finished grade. Only approved electrical metal conduit allowed. Risers will not exceed 2 risers per pole. Member will provide 10' of conductor tails from top of weatherhead. BEC to supply Stand-Offs. (Bluebonnet to mount risers to pole)

*** WIRING INSTALLATIONS MUST MEET LOCAL GUIDELINES, IF APPLICABLE, SET FORTH BY CITY, COUNTY, OR OTHER GOVERNING ENTITY IN THE EVENT THESE REQUIREMENTS ARE MORE STRINGENT THAN BLUEBONNET SPECIFICATIONS. ***



8' ground rod to be driven 12" below grade. (Member Provided)

Minimum schedule 40 rigid nonmetallic service conduit below finished grade. No schedule 40 conduit allowed above ground level on source side of main disconnect.

Member's Conduit Member's conduit shall be installed 8"-12" from pole.

Pipe grounding strap shall be used. (Member Provided)

Schedule 80 PVC pipe shall be stubbed up 8"-12" above the ground.

FOR THE MEMBER'S SAFETY, WIRING INSTALLATION AND MATERIAL SHALL CONFORM TO THE REQUIREMENTS OF THE NEC, TDLR AND NESC.

Latest update can be found at www.bluebonnetelectric.coop



1Ø OR 3Ø 60-200 AMP METER ON BUILDING OR RACK	
DATE	REVISIONS
03-29-2018	MOVED DISCONNECT TO THE SIDE OF METER
11-19-2019	ADDED SOLID COPPER NOTE
11-04-2021	ADDED MAIN BREAKER NOTE

Drawn By : CV
Scale : NONE

Checked By : MS COMMITTEE
Date : 11-04-2021

Approved By : MS COMMITTEE
MS-106