

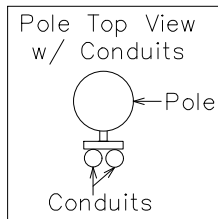
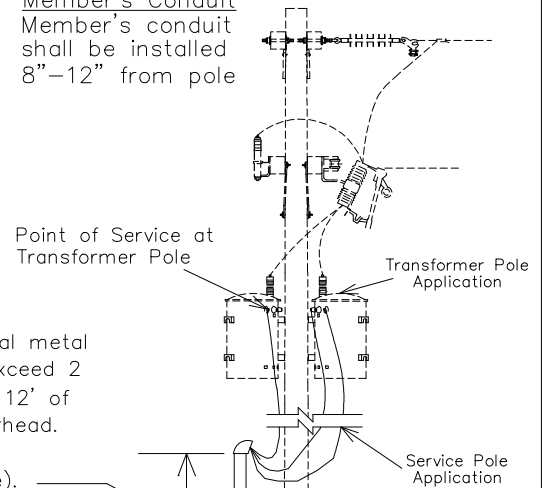
Notes:

1. Line taps shall be made in the galvanized wire trough by the electrical contractor.
2. When more than (1) disconnect is used, a galvanized rough system shall be installed.
3. Weatherproof fittings are required.
4. Two (2) disconnects could be substituted with (1) disconnect. All disconnects shall have over current protection installed.
5. No more than two (2) risers or two (2) conductors per phase shall be allowed.
6. Wire shall be sized to total disconnect sizes.
7. Bluebonnet pole must remain free of structures and private attachments other than service riser assembly.
8. All secondary connections on pole will be made by Bluebonnet.
9. The electrical contractor will notify Bluebonnet 72 hours in advance to schedule Bluebonnet personnel to deliver the CT's before the service wire is pulled. The electrician shall install them on the rack with the correct polarity before the conductor is brought thru the 30"x42" (minimum size) CT enclosure. Call 800-842-7708 to schedule a connect.
10. CT enclosures can be purchased from Techline (512-332-2978).
11. Maintain 3"-6" distance between the disconnect and the meter can. Member shall use a metal nipple. A straight or offset nipple is acceptable.
12. #6 solid, bare ground copper wire and clamp attached to Bluebonnet's pole ground.
13. High leg on a Delta System shall be landed on the right side of the meter can and taped with orange tape.
14. The main electrical disconnect for each electrical service shall be installed on the exterior of the building in a location approved by Bluebonnet Electric Cooperative.

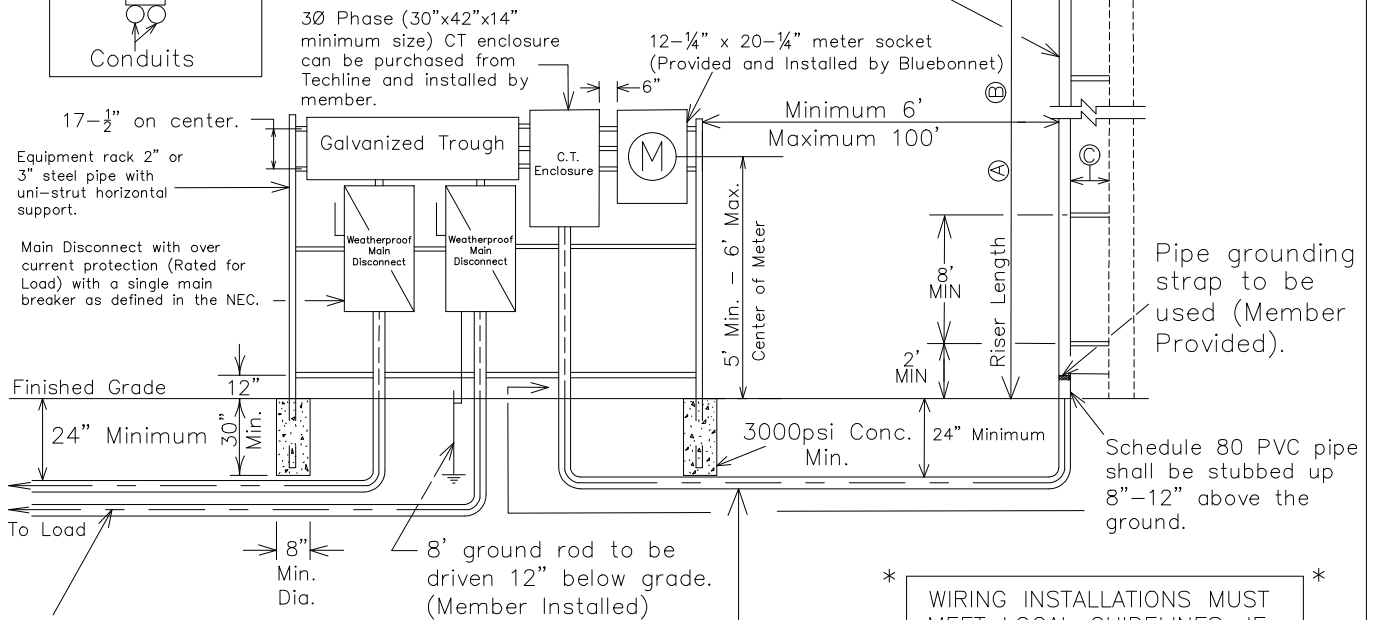
Ⓐ
Transformer Pole Riser Length:
35' Pole = 20' Riser
40' Pole = 24' Riser

Ⓑ
Service Pole Riser Length:
30' Pole = 20' Riser
35' Pole = 24' Riser

Ⓒ
Member's Conduit
Member's conduit shall be installed 8"-12" from pole



Only 2", 3", or 4" approved electrical metal conduit is allowed. Risers will not exceed 2 risers per pole. Member will provide 12' of conductor tails from top of weatherhead. Bluebonnet to supply stand-offs. (Bluebonnet to mount risers to pole).



* WIRING INSTALLATIONS MUST MEET LOCAL GUIDELINES, IF APPLICABLE, SET FORTH BY CITY, COUNTY, OR OTHER GOVERNING ENTITY IN THE EVENT THESE REQUIREMENTS ARE MORE STRINGENT THAN BLUEBONNET SPECIFICATIONS. *

FOR THE MEMBER'S SAFETY, WIRING INSTALLATION AND MATERIAL SHALL CONFORM TO THE REQUIREMENTS OF THE NEC, TDLR AND NESC.

Latest update can be found at <http://www.bluebonnetelectric.coop>

3PH, STRAIGHT 480 VOLT 3W CORNER GROUND DELTA >200 AMP ON RACK OR BUILDING



Drawn By : DK	Checked By : CV	Approved By : STANDARDS
Scale : NONE	DATE: Jun. 27, 2023	MS-301C