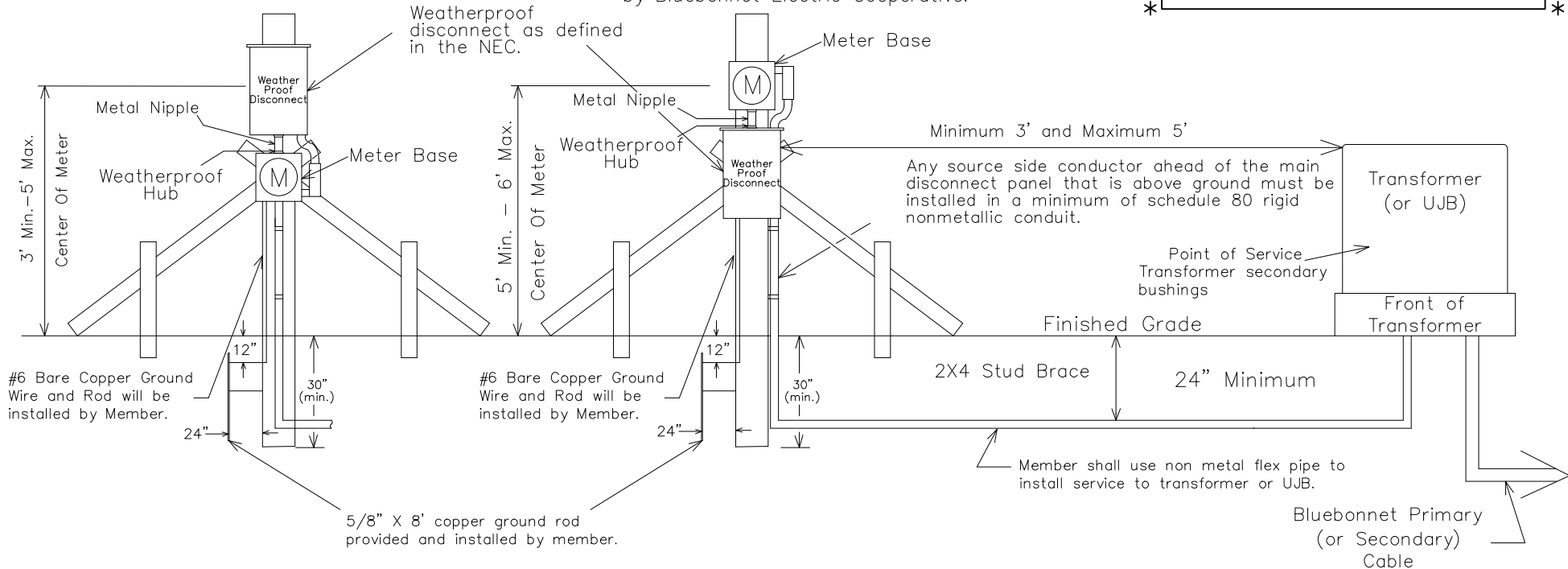


Notes:

1. All temporary wiring shall meet national electrical code standards.
2. All outlets attached to meter loop shall have ground-fault circuit interrupter protection.
3. For all URD jobs, electricians shall call TEXAS811 for locates before digging to Bluebonnet equipment. No private utilities will be located.
4. Service wires shall be brought to the top side of the meter base.
5. Bluebonnet does inspect temporary meter loops and a fee shall be charged per trip for wiring inspection. Bluebonnet will refuse service if hazardous conditions exist and/or if connections do not meet specifications.
6. Bluebonnet will complete wiring into transformer or UJB. Member shall have sufficient amount of wire for termination.
7. All connections inside pad mounted transformer and UJB's will be made by Bluebonnet.
8. Temporary Meter Loop Services are good for up to 24 months of service or less.
9. The main electrical disconnect for each electrical service shall be installed on the exterior of the building in a location approved by Bluebonnet Electric Cooperative.

* WIRING INSTALLATIONS MUST MEET LOCAL GUIDELINES, IF APPLICABLE, SET FORTH BY CITY, COUNTY, OR OTHER GOVERNING ENTITY IN THE EVENT THESE REQUIREMENTS ARE MORE STRINGENT THAN BLUEBONNET SPECIFICATIONS. *



FOR MEMBER SAFETY, WIRING INSTALLATION AND MATERIAL SHALL CONFORM TO THE REQUIREMENTS OF THE NEC, TDLR AND NESCC.

Latest update can be found at www.bluebonnetelectric.coop

CURRENT CARRYING CAPACITIES AND CONDUIT/NIPPLE SIZE REQUIREMENT OF STANDARD WIRE SIZE (RHH, RHW, THW, THWN, THHN, AND XHHW) REFER TO NEC FOR OTHER CALCULATIONS.

COPPER CONDUCTOR			ALUMINUM CONDUCTOR		
WIRE SIZE	BREAKER SIZE	CONDUIT SIZE	WIRE SIZE	BREAKER SIZE	CONDUIT SIZE
#6	60 AMP	1 1/4" CONDUIT	#4	60 AMP	1 1/4" CONDUIT
#4	100 AMP	1 1/4" CONDUIT	#2	100 AMP	1 1/4" CONDUIT
#2	125 AMP	1 1/2" CONDUIT	#1/0	125 AMP	1 1/2" CONDUIT
#1	150 AMP	2" CONDUIT	#2/0	150 AMP	2" CONDUIT
#2/0	200 AMP	2" CONDUIT	#4/0	200 AMP	2" CONDUIT



TEMPORARY METER LOOP FOR UNDERGROUND SERVICE		Drawn By : RG	Checked By : MS COMMITTEE	Approved By : MS COMMITTEE
DATE	REVISIONS	Scale : NONE	DATE: 11-04-2021	MS-302
03-29-2018	ADDED ADDITIONAL METER SETUP.			
11-04-2021	ADDED MAIN BREAKER NOTE			