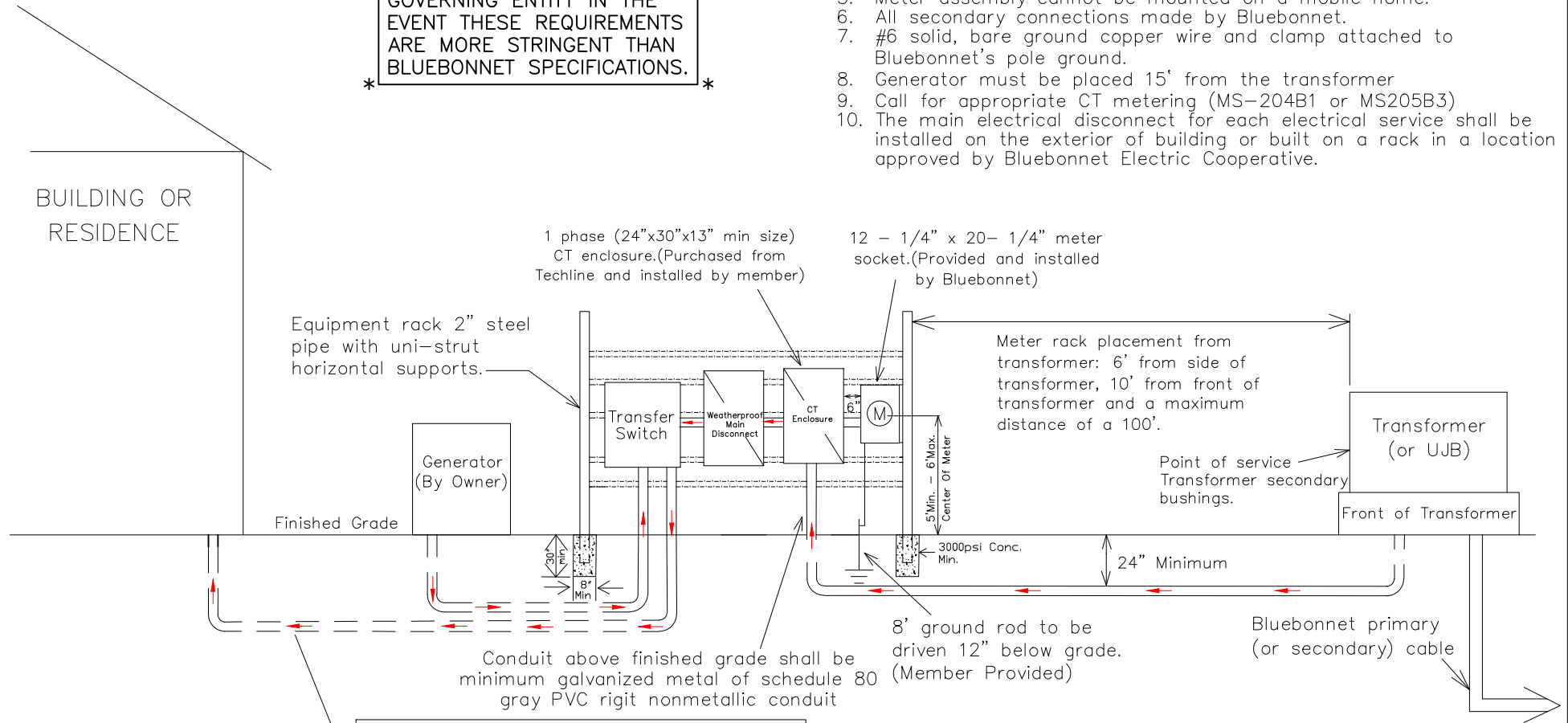


* WIRING INSTALLATIONS MUST MEET LOCAL GUIDELINES, IF APPLICABLE, SET FORTH BY CITY, COUNTY, OR OTHER GOVERNING ENTITY IN THE EVENT THESE REQUIREMENTS ARE MORE STRINGENT THAN BLUEBONNET SPECIFICATIONS. *

NOTES:

1. Weatherproof fittings required.
2. Wire sized to total disconnect size.
3. Neutral may only be reduced two sizes on residential application. No reduction of the neutral is allowed on commercial application.
4. Meter assembly must remain unenclosed on exterior of structure.
5. Meter assembly cannot be mounted on a mobile home.
6. All secondary connections made by Bluebonnet.
7. #6 solid, bare ground copper wire and clamp attached to Bluebonnet's pole ground.
8. Generator must be placed 15' from the transformer
9. Call for appropriate CT metering (MS-204B1 or MS205B3)
10. The main electrical disconnect for each electrical service shall be installed on the exterior of building or built on a rack in a location approved by Bluebonnet Electric Cooperative.



Minimum schedule 40 rigid nonmetallic service conduit below finished grade. No schedule 40 conduit allowed above ground level on source side of main disconnect.

FOR THE MEMBER'S SAFETY, WIRING INSTALLATIONS SHALL CONFORM TO THE REQUIREMENTS OF THE NEC, TDLR AND NESC.

Latest update can be found at www.bluebonnetelectric.coop



<p>1Ø >400 AMPS OR 3Ø >200 AMPS UNDERGROUND SERVICE WITH DISCONNECT ON RACK OR BUILDING WITH STANDBY GENERATOR SYSTEM</p>	Drawn By :	Checked By :	Approved By :
	DJ	Engineers	Standards Committee
	Scale :	Date :	
	NONE	06-27-2023	MS-406A