

Notes:

- Line taps shall be made in the galvanized wire trough by the electrical contractor.
- When more than (1) disconnect is used, a galvanized rough system hall be installed.
- Weatherproof fittings are required.
- Two (2) disconnects could be substituted with (1) disconnect. All disconnects shall have over current protection installed.
- No more than two (2) risers or two (2) conductors per phase shall be allowed.
- Wire shall be sized to total disconnect sizes.
- Neutral(s) may be reduced no more than two sizes on residential applications. No reduction of the neutral(s) is allowed on commercial application.
- Bluebonnet pole must remain free of structures and private attachments other than service riser assembly.
- All secondary connections on pole will be made by Bluebonnet.
- The electrical contractor will notify Bluebonnet 72 hours in advance to schedule Bluebonnet personnel to deliver the CT's before the service wire is pulled. The electrician shall install them on the rack with the correct polarity before the conductor is brought thru the 30"x42" (minimum size) CT enclosure. Call 800-842-7708 to schedule a connect.
- CT enclosures can be purchased from Techline (512-332-2978).
- Maintain 3"-6" distance between the disconnect and the meter can. Member shall use a metal nipple. A straight or offset nipple is acceptable.
- #6 solid, bare ground copper wire and clamp attached to Bluebonnet's pole ground.

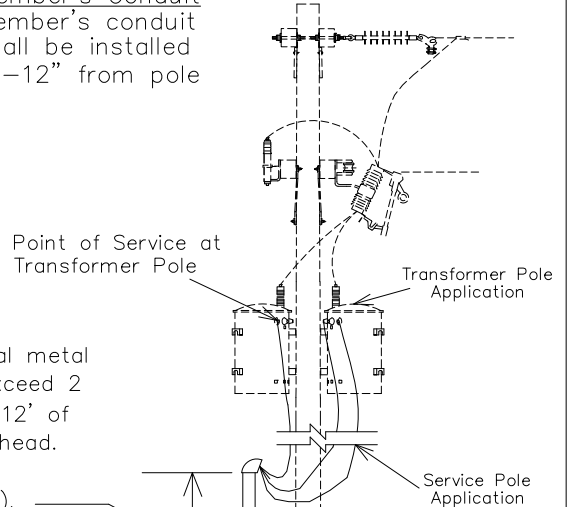
Transformer Pole Riser Length:

35' Pole = 20' Riser
40' Pole = 24' Riser

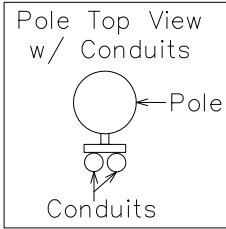
Service Pole Riser Length:

30' Pole = 20' Riser
35' Pole = 24' Riser

Member's Conduit
Member's conduit shall be installed 8"-12" from pole

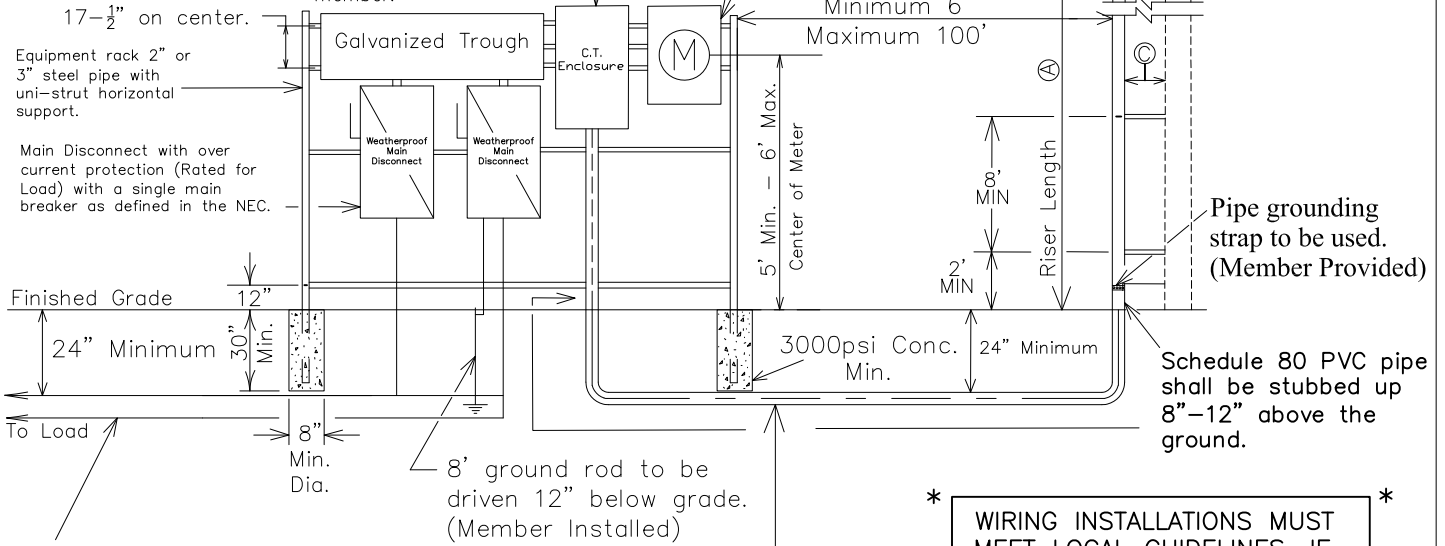


Only 2", 3", or 4" approved electrical metal conduit is allowed. Risers will not exceed 2 risers per pole. Member will provide 12' of conductor tails from top of weatherhead. Bluebonnet to supply stand-offs. (Bluebonnet to mount risers to pole).



3Ø Phase (30"x42"x14" minimum size) CT enclosure can be purchased from Techline and installed by member.

12-1/4" x 20-1/4" meter socket (Provided and Installed by Bluebonnet)



Service to load cable enclosed in minimum schedule 40 nonmetallic conduit.

Minimum schedule 40 rigid nonmetallic service conduit below finished grade. No schedule 40 conduit allowed above ground level on source side of main disconnect.

* WIRING INSTALLATIONS MUST MEET LOCAL GUIDELINES, IF APPLICABLE, SET FORTH BY CITY, COUNTY, OR OTHER GOVERNING ENTITY IN THE EVENT THESE REQUIREMENTS ARE MORE STRINGENT THAN BLUEBONNET SPECIFICATIONS. *

FOR THE MEMBER'S SAFETY, WIRING INSTALLATION AND MATERIAL SHALL CONFORM TO THE REQUIREMENTS OF THE NEC, TDLR AND NESC.

Latest update can be found at

<http://www.bluebonnetelectric.coop/myHome/electricServices/meterLoop.aspx>

3 PHASE >200-800 AMP SERVICE WITH CT METERING ON RACK



Drawn By : RG	Checked By : MS COMMITTEE	Approved By : MS COMMITTEE
Scale : NONE	DATE: 11-04-2021	MS-113B3

DATE	REVISIONS
11-28-2017	Bold lettering of schedule 80 PVC
11-19-2019	Added Solid Copper Note.
04-16-2021	Removed Single Phase from the CT Enclosure Note.
11-04-2021	Added Main Breaker Note