

Notes:

1. Main disconnect panel may not be used as an electrical race way. Line taps shall be made by the electrical contractor if a galvanized wiring trough is used.
2. Weatherproof fittings required.
3. Any combination of six disconnects totaling no more than 400 Amps can be used. REF: NEC, SEC. 230.71
4. If more than two disconnects are needed, a galvanized trough is required.
5. Wire sized to total disconnect sizes.
6. Neutral(s) may be reduced no more than two sizes on residential applications.
7. No reduction of the neutral(s) is allowed on commercial applications.
8. Bluebonnet pole must remain free of structures and private attachments other than meter loop assembly.

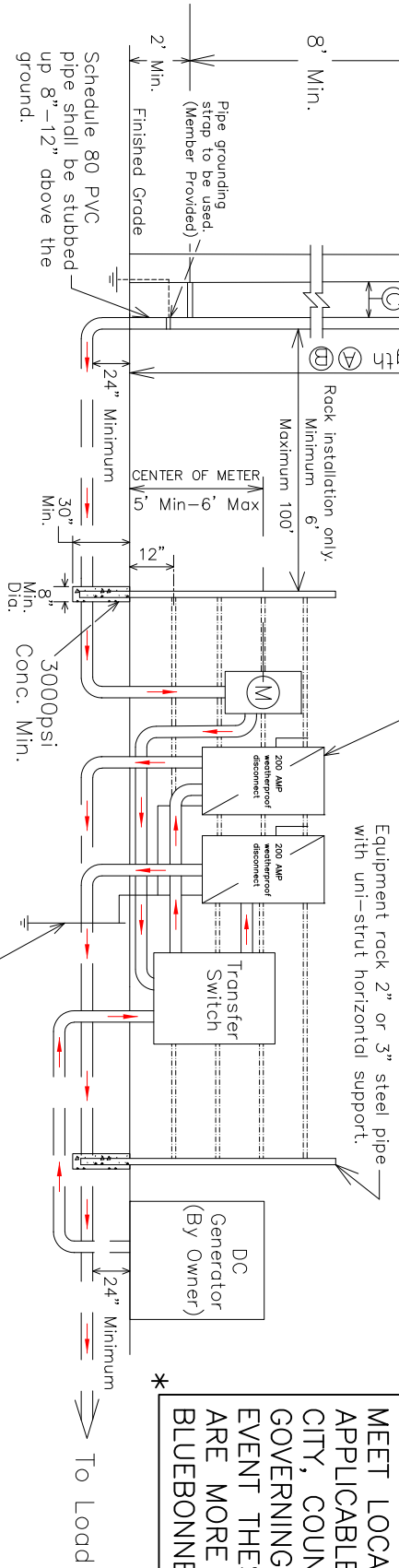
Transformer Pole Riser Length:

35' Pole = 20' Riser
40' Pole = 24' Riser

Service Pole Riser Length:

30' Pole = 20' Riser
35' Pole = 24' Riser

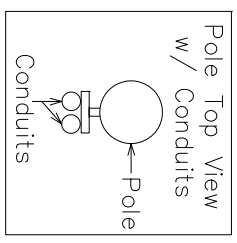
Type K-4, Bolt-in, type meter can: Description: 400 amp, 4 terminals, 3-wire, residential/commercial socket single phase self-contained, large cover plate. These meter cans are available for purchase through Tech-Line or any other electrical supplier provided it meets all Bluebonnet Electric Cooperative specifications. Techline's phone number, Techline (512-332-2978)



Minimum schedule 40 rigid nonmetallic service conduit below finished grade. No schedule 40 conduit allowed above ground level on source side of main disconnect.

Latest update can be found at www.bluebonnetelectric.coop

WIRING INSTALLATIONS MUST MEET LOCAL GUIDELINES, IF APPLICABLE, SET FORTH BY CITY, COUNTY, OR OTHER GOVERNING ENTITY IN THE EVENT THESE REQUIREMENTS ARE MORE STRINGENT THAN BLUEBONNET SPECIFICATIONS.



FOR THE MEMBER'S SAFETY, WIRING INSTALLATION AND MATERIAL SHALL CONFORM TO THE REQUIREMENTS OF THE NEC, TDLR AND NESC.



1Ø 400 AMP O/H SERVICE TO A UNDERGROUND STANDBY GENERATOR SYSTEM WITH METER ON RACK OR BUILDING WITH K BASE BOLTED IN METER SOCKET.		Drawn By :	RG	Checked By :	MS COMMITTEE	Approved By :	MS COMMITTEE
DATE	REVISIONS	Scale :	NONE	Date :	11-04-2021		
11-15-2016	ADDED FLOW ARROWS.						
11-20-2019	ADDED SOLID COPPER NOTE.						