

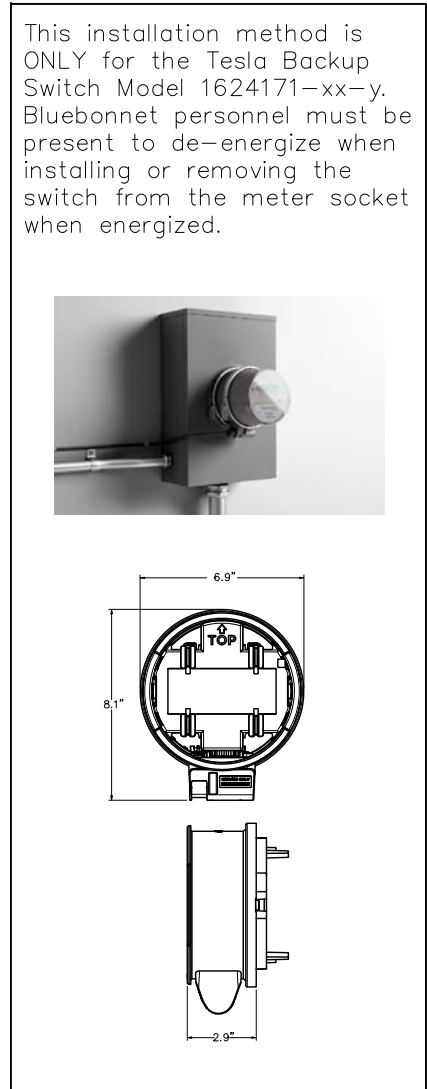
* WIRING INSTALLATIONS MUST MEET LOCAL GUIDELINES, IF APPLICABLE, SET FORTH BY CITY, COUNTY, OR OTHER GOVERNING ENTITY IN THE EVENT THESE REQUIREMENTS ARE MORE STRINGENT THAN BLUEBONNET SPECIFICATIONS. *

FOR THE MEMBER'S SAFETY, WIRING INSTALLATION AND MATERIAL SHALL CONFORM TO THE REQUIREMENTS OF THE NEC, TDLR AND NESC.

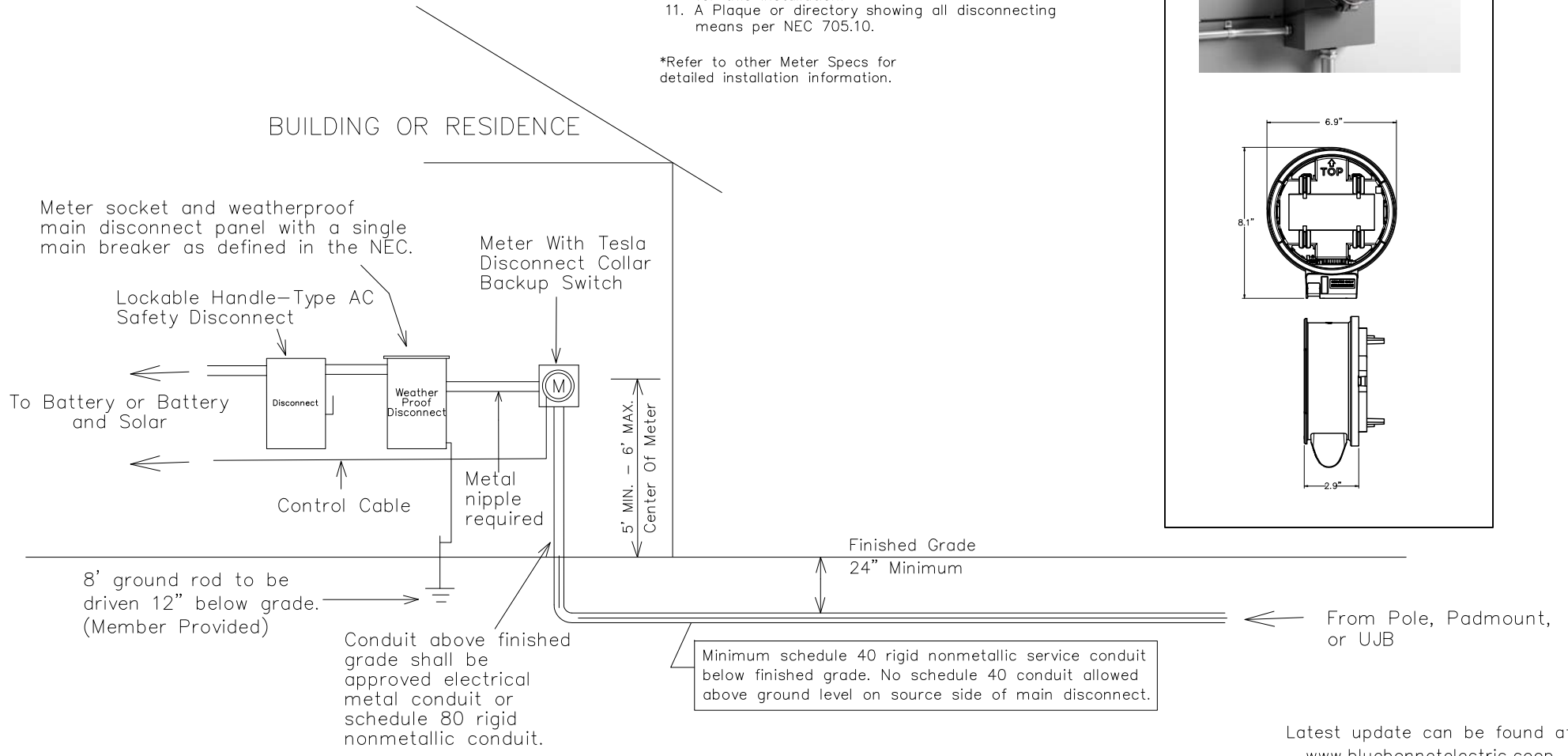
Notes:

1. Weatherproof fittings required.
2. Wire sized to total disconnect size.
3. Neutral may only be reduced two sizes on residential application. No reduction of the neutral is allowed on commercial application.
4. Bluebonnet pole must remain free of structures and private attachments other than meter loop riser assembly.
5. Meter assembly must remain unenclosed on exterior of structure.
6. Meter assembly cannot be mounted on a mobile home.
7. All secondary connections made by BEC..
8. Lockable Handle-Type AC Safety Disconnect must be located on exterior of the structure.
9. Member's equipment shall not be attached to Bluebonnet's equipment.
10. An additional locking meter ring is required for this installation.
11. A Plaque or directory showing all disconnecting means per NEC 705.10.

*Refer to other Meter Specs for detailed installation information.



This installation method is ONLY for the Tesla Backup Switch Model 1624171-xx-y. Bluebonnet personnel must be present to de-energize when installing or removing the switch from the meter socket when energized.



Latest update can be found at www.bluebonnetelectric.coop



RENEWABLE INTERCONNECTION LESS THAN 50 kW AT METER WITH TESLA DISCONNECT COLLAR BACKUP SWITCH	
DATE	REVISIONS

Drawn By :	SEF
Scale :	NONE

Checked By :	STANDARDS
Date :	09/30/2021

Approved By :	EK
	MS-507T