

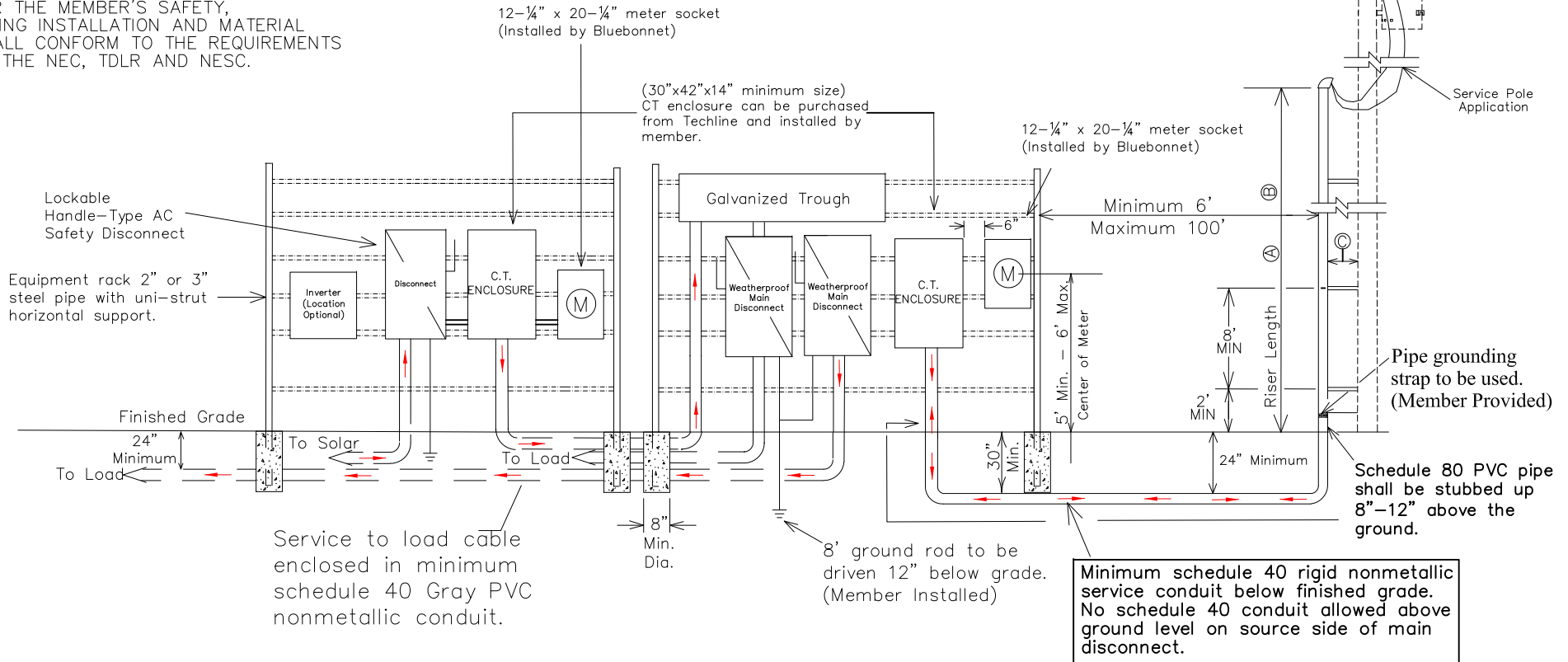
Notes:

1. DG Disconnect within 25' of Main Disconnect. DG meter and Disconnect may be on same rack as main Disconnect.
2. Weatherproof fittings required.
3. Inspection required by local Jurisdiction if applicable.
4. DG Disconnect clearly labeled and identified.
5. Bluebonnet to provide the CTs.
6. Meter assembly must remain unenclosed on exterior of structure.
7. DG Meter Rack (If Applicable) shall be a minimum of 6' away from Bluebonnet's pole and/or equipment.

* WIRING INSTALLATIONS MUST MEET LOCAL GUIDELINES, IF APPLICABLE, SET FORTH BY CITY, COUNTY, OR OTHER GOVERNING ENTITY IN THE EVENT THESE REQUIREMENTS ARE MORE STRINGENT THAN BLUEBONNET SPECIFICATIONS. *

Refer to and Use MS-113B1 for main disconnect details.

FOR THE MEMBER'S SAFETY, WIRING INSTALLATION AND MATERIAL SHALL CONFORM TO THE REQUIREMENTS OF THE NEC, TDLR AND NESC.



Latest update can be found at <http://www.bluebonnetelectric.coop>



| | |
|--|-----------|
| 50kW OR >= RENEWABLE 1 PHASE >200 AMPS, 400-800 AMP SERVICE WITH CT METER ON RACK | |
| DATE | REVISIONS |
| | |
| | |

| | | |
|------------|---------------|---------------|
| Drawn By : | Checked By : | Approved By : |
| SF | DER COMMITTEE | SC |
| Scale : | Date : | MS-553-1 |
| NONE | 12-15-2021 | |