

## Metering Guidelines

Latest Update to all specs can be found at [Bluebonnetelectric.coop](http://Bluebonnetelectric.coop)

**For the member's safety, wiring installation and material shall conform to the requirements of the NEC, TDLR and NESC. All Wiring Installations must also meet local guidelines, if applicable, set forth but the city, county, or other governing entity in the event these requirements are more stringent than Bluebonnet specifications.**

### General Notes

Applicable to All Specs

1. Weatherproof fittings are required for all connections.
2. The main electrical disconnect for each electrical service, if not mounted on a Bluebonnet pole or on an approved rack, shall be unenclosed and installed on the exterior of the building or approved structure in a location approved by Bluebonnet Electric Cooperative
3. Meter assembly must remain unenclosed on the exterior of a structure.
4. Meter assembly cannot be mounted on a mobile home.
5. Any part of a meter rack or equipment rack shall be a minimum of six feet from Bluebonnet poles or equipment, and shall not impede access for maintenance to Bluebonnet's poles or equipment.
6. Bluebonnet poles must remain free of structures and private attachments other than the meter loop/meter loop riser assembly.
7. Meter loops or risers shall be installed on pole by Bluebonnet.
8. All secondary connections are to be made by Bluebonnet.
9. Neutral(s) must be insulated and may only be reduced two sizes on residential applications. No reduction of the neutral(s) is allowed on commercial applications.
10. Each phase must be sized to accommodate the total main fuses or breakers installed
11. Electric service to fire pumps shall be served through a CT-metered service.
12. Where three-phase is used to provide single-phase service to individual occupants, the load must be balanced between all three phases as equally as possible. This applies whether the single phase services are individually metered or not.
13. For all jobs requiring excavation, including rack or underground, the individual or contractor performing the work shall call TEXAS811 for locating jobs before digging to Bluebonnet equipment. No private utilities will be located.
14. Mobile Home Feeder Cables may not be used from Transformer or UJB to Meter unless the fourth (Green or Bare) Ground wire can be and is removed before installing.

## CT Metering Notes

**Applies to:** MS-112B1, MS-112B3, MS-113B1, MS-113B3, MS-114A1, MS-114B3, MS-115-1, MS-115-3, MS-202A1, MS-202B3, MS-204B1, MS-204B2, MS-204B3, MS-207B, MS-301B, MS-301C, MS-406A, MS-533-1, MS-533-3, MS-554-1, MS-554-3

1. CT Enclosures may be purchased from Techline **(512-332-2978)** and Installed by Member:  
Minimum Size 1 Phase: Main Enclosure 30" x 30" x 12"  
Backup Enclosure 24" x 30" x 13"  
Minimum Size 3 Phase: Main Enclosure 42" x 30" x 13"  
Backup Enclosure 24" x 30" x 13"
2. CT enclosures may be purchased at any supplier as long as it meets the minimum dimensions and is able to accommodate a Bluebonnet pad lock.
3. Bluebonnet to provide CTs.
4. The electrical contractor will notify Bluebonnet 72 hours in advance to schedule Bluebonnet personnel to deliver the CT's. The electrician shall install the CT's on the rack with the correct polarity before the conductor is brought through the CT enclosure. Call **(800-842-7708)** to schedule a connect.
5. Electric service to fire pumps shall be served through a CT-metered service.

## Standby Generator Notes

**Applies to:** MS-400, MS-401, MS-401A, MS-402, MS-402A, MS-403, MS-404, MS-405, MS-406, MS-406A, MS-407, MS-408, MS-412

1. Generators shall be placed a minimum of 15' away from Bluebonnet's pole(s) and/or equipment and outside of Bluebonnet's easement.
2. Transfer switches may be on Bluebonnet pole, only if they are in place of a main panel. They may not be in addition to a panel.
3. Any transfer switch that serves as a main (first device past meter) must be service rated
4. Generators must be connected with a dedicated transfer switch. Breaker interlocks are not acceptable.
5. Portable generators may be connected to an inlet through a transfer switch.
6. Transfer switches that plug into the meter base are not acceptable.

## Renewable Energy Connection Notes

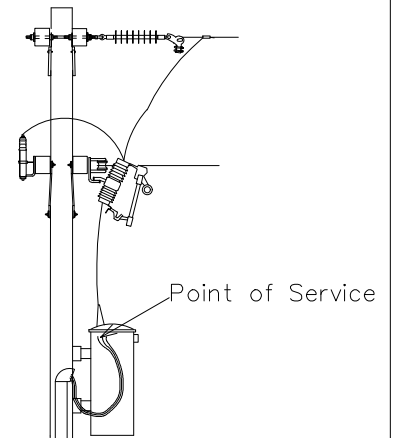
**Applies to:** MS-501, MS-502, MS-507T, MS-553-1, MS-553-3, MS-554-1, MS-554-3, MS-41115, MS-41119

1. The solar and/or battery disconnect(s), if not mounted on an approved rack, shall be installed on the exterior of the building or approved structure in a location approved by Bluebonnet Electric Cooperative.
2. DG disconnect must be clearly labeled and identified.
3. Bluebonnet poles must remain free of structures and private attachments other than the meter loop assembly or riser.
4. Inspection may be required by local jurisdiction if applicable.
5. DG meter or equipment rack (If Applicable) shall be a minimum of 6' away from Bluebonnet's poles and/or equipment.
6. Any installation with Batteries are required to have an accessible disconnect or method of shutdown to disable batteries.

**NOTES:**

1. A plaque or directory showing all disconnecting means per NEC 705.10.
2. See MS-102, MS-10115, or MS-10119 for meter loop specifications
3. See "Metering Guidelines" for all other applicable notes.

BUILDING OR RESIDENCE



Equipment rack 2" steel pipe with uni-strut horizontal supports.

Lockable Handle-Type AC Safety Disconnect

Inverter (Location Optional)

Disconnect

6' Min.  
100' Max

(Back-Feed Breaker) Load Side Connection

8' ground rod to be driven 12" below grade. (Member Provided)

Weatherproof Main Disconnect

5' Min. - 6' Max. Center Of Meter

Finished Grade

24" Minimum

24" Minimum

24" Minimum

From Inverter

Conduit above finished grade shall be approved electrical metal conduit or schedule 80 rigid nonmetallic conduit.

Minimum schedule 40 rigid nonmetallic service conduit below finished grade. No schedule 40 conduit allowed above ground level on source side of main disconnect.



RENEWABLE INTERCONNECTION LESS THAN 50 kW AT METER ON POLE WITH BACK-FEED BREAKER

DATE	REVISIONS

Drawn By : SEF

Scale : NONE

Checked By : DER COMMITTEE

Date : 07-15-2022

Approved By : TE

MS-501