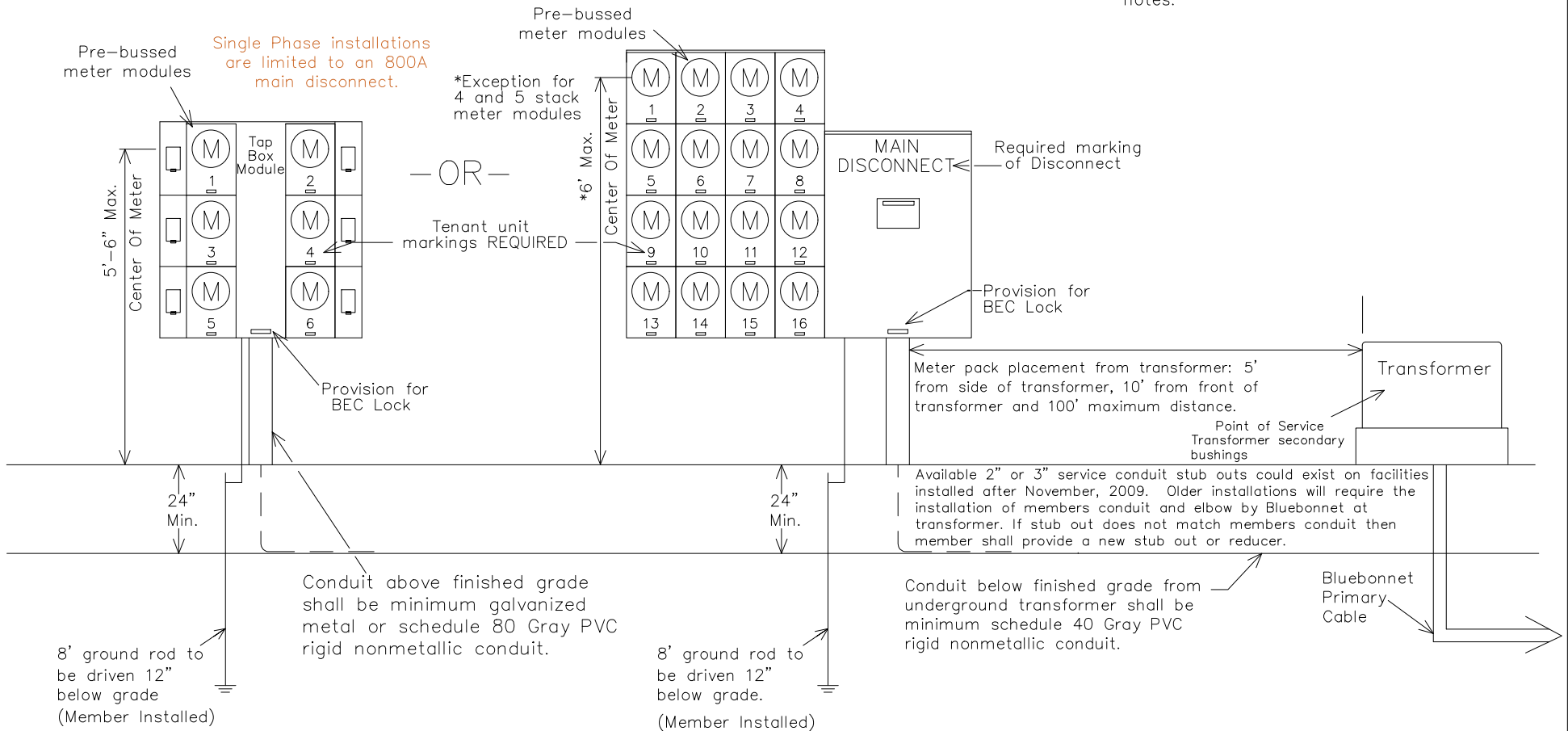


Notes:

- Covers on circuit breaker compartments must be removable without disturbing meters.
- Meter socket components must be readily accessible and removable for maintenance.
- Wire sized to total disconnect sizes.
- Bluebonnet will complete wiring into transformer. Have sufficient amount of wire for termination.
- If a main disconnect module is used, its cover must have provisions for a standard Bluebonnet padlock.
- Member/Electrician shall coordinate with Bluebonnet personal to install all conduit and the pulling of the secondary wire to the transformer. Member/Electrician shall notify Bluebonnet 48 hours in advance to schedule a time/date to perform the work.
- If additional trips are made to the site by Bluebonnet personnel, applicable fees may be applied.
- #6 Solid, Bare ground copper wire and clamp attached to Bluebonnet's pole ground.
- No more than one disconnect per enclosure.
- Max wire size for single-phase underground transformers to be 350 kcmil
- Limit number of conductors to 4 per phase.
- See "Metering Guidelines" for other applicable notes.



1Ø 60-200 AMP UNDERGROUND MULTI-PACK METERS ON BUILDING	
DATE	REVISIONS
11-20-19	Added Solid Copper Note.
11-04-21	Added Main Breaker Note.

Drawn By :	BS
Scale :	NONE

Checked By :	MS COMMITTEE
Date :	11-04-2021

Approved By :	MS COMMITTEE
	MS-207